

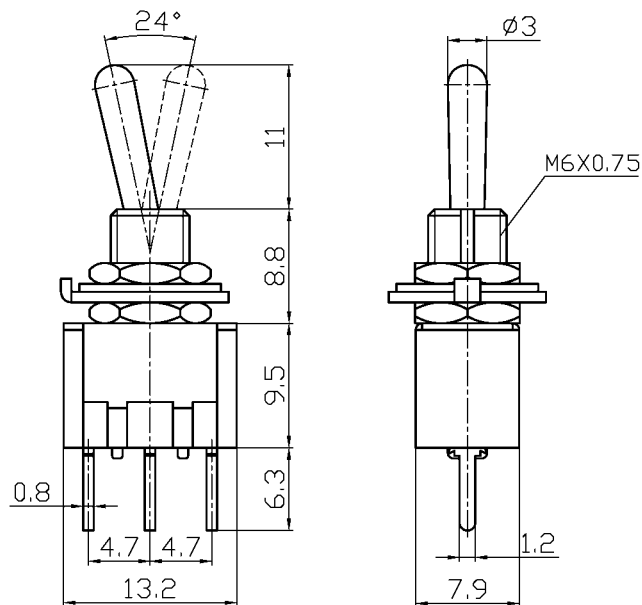
Part No. 17TOGMTS102PC

Miniature Toggle Switch

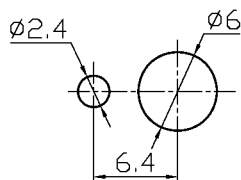
(Specification)

1. (Rating): 6A 125V AC; 3A 250V AC
2. (Contact R): 20m Ω max
3. (Insulation R): 500V DC 1000M Ω min
4. (Dielectric Strength): 1 Minute 1500V AC
5. (Operating Temperature): -25 $^{\circ}$ C ~ +85 $^{\circ}$ C
6. (Electrical Life): 10, 000 Cycles

(Outline Drawing)



(Mounting)



(Circuitry)

